

Telephone:
Fax:
KMKR Nr.:

Glow plug relay

Component disconnected

Fig. 87388

Terminals	Condition	Typical value	Note
30 & 87	Battery voltage disconnected	∞	14, 17, 21
30 & 87	Battery voltage connected	0 Ω	19, 22

Notes

- 14. Except Sharan 09/97 → .
- 17. Checking operation.
- 21. Identification number: 102/103.
- 19. Ensure battery voltage supply is connected correctly. Otherwise relay could be damaged.
- 22. Battery + to terminal 86. Battery - to terminal 85.

Glow plug relay

Component disconnected

Fig. 42890

Terminals	Condition	Typical value	Note
30 & 87	Battery voltage disconnected	∞	15, 17, 21
30 & 87	Battery voltage connected	0 Ω	19, 22

Notes

- 15. Sharan 09/97 → .
- 17. Checking operation.
- 21. Identification number: 102/103.
- 19. Ensure battery voltage supply is connected correctly. Otherwise relay could be damaged.
- 22. Battery + to terminal 86. Battery - to terminal 85.

Glow plug relay

Component disconnected

Fig. 86018

Terminals	Condition	Typical value	Note
6 & earth	Ignition OFF	11-14 V	14, 20
2 & earth	Ignition ON	11-14 V	

Notes

14. Except Sharan 09/97 → .

20. Checking supply voltage.

Glow plug relay

Component disconnected

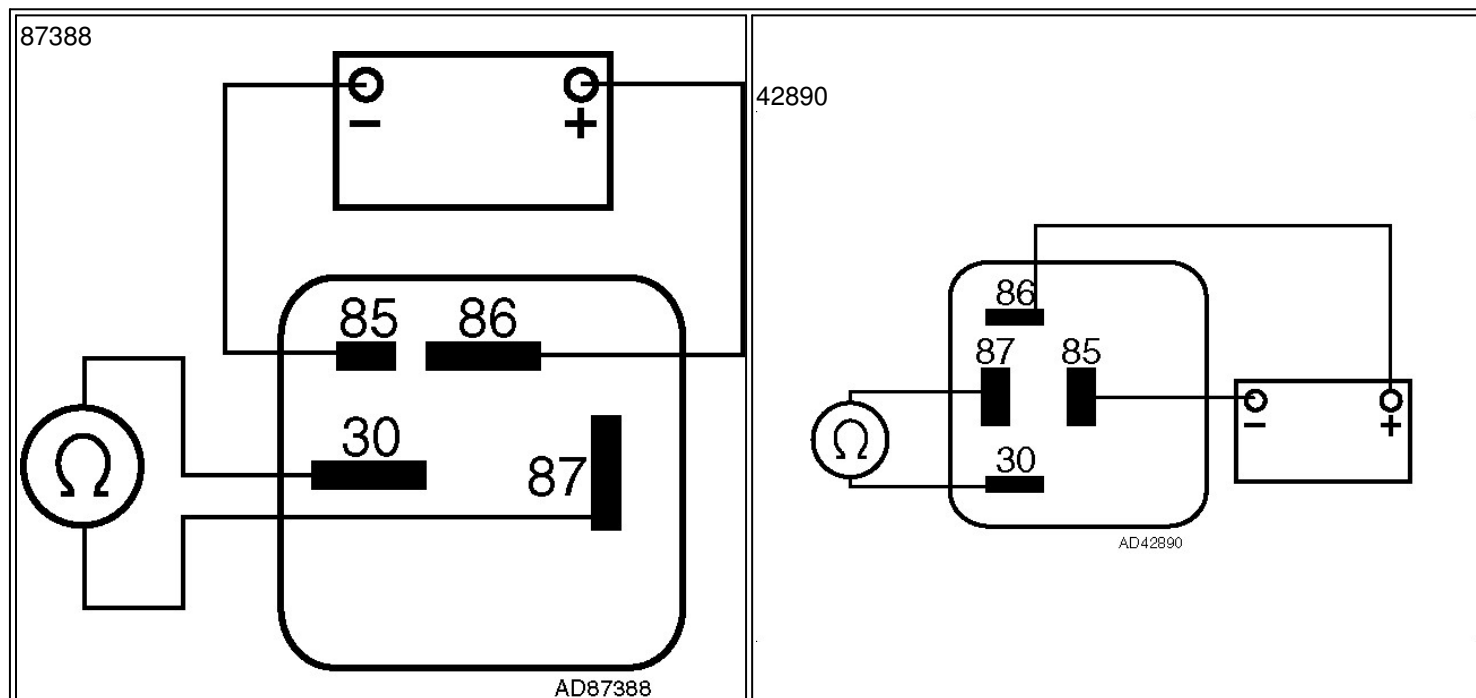
Fig. 42891

Terminals	Condition	Typical value	Note
1 & earth	Ignition OFF	11-14 V	15, 20
3 & earth	Ignition ON	11-14 V	

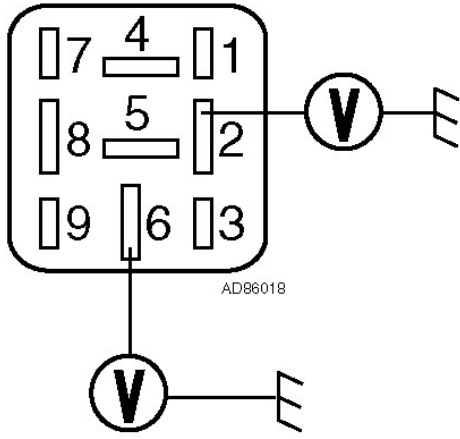
Notes

15. Sharan 09/97 → .

20. Checking supply voltage.



86018



42891

